



RITZ INSTRUMENT TRANSFORMERS, INC.

Instrument Transformers

Current Transformers

DCFW

General Description

The DCFW is a large window type II current transformer designed for metering and protection applications. It is suitable for both indoor and outdoor service. It is for use with uninsulated bus bar and cable up to 600V or with higher voltage insulated conductors. The transformer meets all applicable IEEE, ANSI, CSA, and NEMA standards.

Construction

The ring type core is wound from high quality grain oriented silicon steel which has been annealed. The secondary winding is accomplished with heavy enameled copper wire evenly distributed around the core. The core and coil assembly is then completely encapsulated in a mold using polyurethane resin.

Secondary Terminals and Cover

Secondary terminals are tinned bronze compression type with a large 7.5 mm (.29") diameter cross-hole. A bronze pivoting short circuit device is an integral part of the secondary terminal arrangement. The short circuit device interferes with the proper placement of the clear polycarbonate cover when the shorting device is in the shorted position. The terminal cover is designed to accept a sealing device. An optional weather-proof secondary box is available

Base Plates

The transformer is designed for wall mounting and comes with 4 through holes. An optional base fixture of marine grade aluminum can be ordered separately as an accessory.

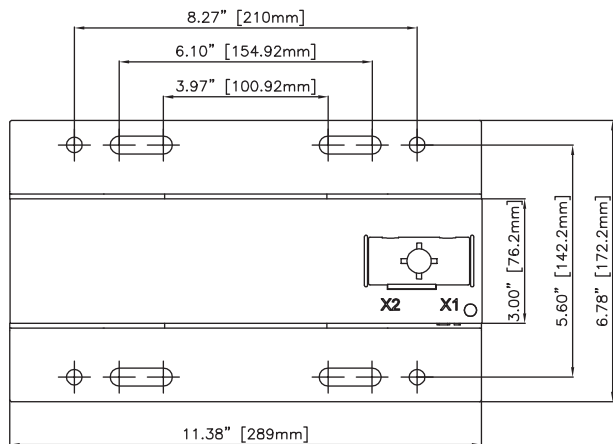
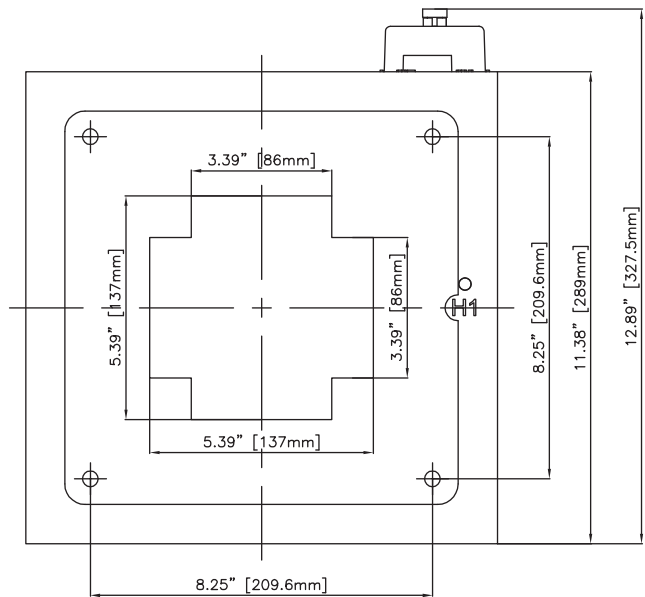
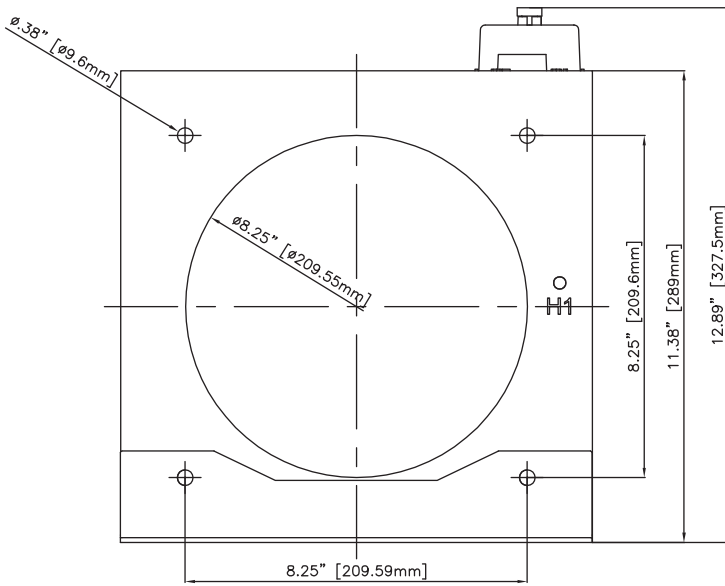
Test Reports

Test reports according to the latest revisions of IEEE C57.13 are stored electronically at time of test and can be sent via email in customer preferred formats at time of shipment.



CATALOG NUMBER

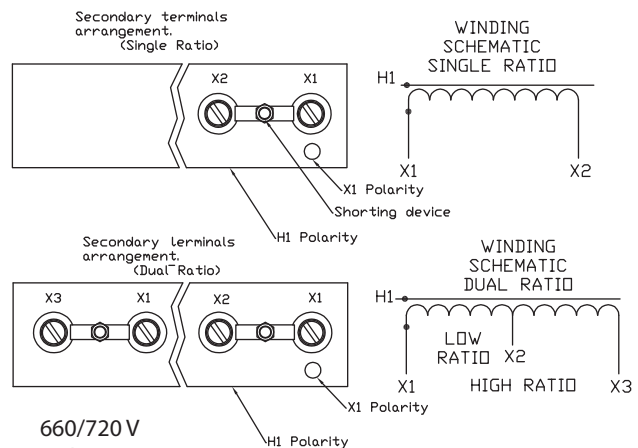
RATIO (A)	METERING ACCURACY	PROTECTION ACCURACY	RATING FACTOR (30C)	WITHOUT MOUNTING FEET	WITH MOUNTING FEET	WITH WINDOW PLATE
800:5	0.3B0.9	C20	3.0	110601017.0590	110601022.0600	110601023.0610
1000:5	0.3B0.9	C50	3.0	110601017.0591	110601022.0601	110601023.0611
1200:5	0.3B0.9	C50	3.0	110601017.0592	110601022.0602	110601023.0612
1500:5	0.3B1.8	C50	3.0	110601017.0593	110601022.0603	110601023.0613
2000:5	0.3B1.8	C100	2.0	110601017.0594	110601022.0604	110601023.0614
3000:5	0.3B1.8	C100	2.0	110601017.0595	110601022.0605	110601023.0615
4000:5	0.3B1.8	C100	1.5	110601017.0596	110601022.0606	110601023.0616
5000:5	0.3B1.8	C100	1.33	110601017.0597	110601022.0607	110601023.0617
6000:5	0.3B1.8	C100	1.0	110601017.0598	110601022.0608	110601023.0618
8000:5	0.3B1.8	C100	1.0	110601017.0599	110601022.0609	110601023.0619
1000/2000:5	0.3B0.9/1.8	C50/C100	2.0/2.0	110601017.0620	110601022.0625	110601023.0630
1500/3000:5	0.3B0.9/1.8	C50/C100	2.0/2.0	110601017.0621	110601022.0626	110601023.0631
2000/4000:5	0.3B0.9/1.8	C50/C100	2.0/1.5	110601017.0622	110601022.0627	110601023.0632
2500/5000:5	0.3B1.8/1.8	C100/C200	2.0/1.5	110601017.0623	110601022.0628	110601023.0633
3000/6000:5	0.3B1.8/1.8	C50/C100	1.33/1.0	110601017.0624	110601022.0629	110601023.0634



With Optional Mounting Feet

Voltage Class: 660/720 V
 BIL: 10 kV
 PFWV: 4 kV
 Approx. Weight: 19lbs (8.6kg)

Window-Plate Option



RITZ INSTRUMENT TRANSFORMERS, INC.
 25 Hamburg Avenue • Lavonia, GA 30553 USA
 706-356-7180 • www.ritzusa.com
 e-mail: sales@ritzusa.com

SALES REPRESENTATIVE

