



RITZ INSTRUMENT TRANSFORMERS, INC.

*Instrument Transformers*

# Voltage Transformers

## DVF-6

### General Description

The DVF – 6 voltage transformer is designed for use with watt-hour meters, relays and in other control applications. It is suitable for both indoor and outdoor service. The transformer meets all applicable IEEE, ANSI, CSA, and NEMA standards.

### Construction

The primary and secondary coils are wound on insulated tubes. The wound coils are positioned around a distributed gap core of grain oriented silicone steel. The core and windings are then encapsulated in polyurethane resin inside a molded shell of tough thermoplastic polyester resin.

### Terminals and Cover

Primary and secondary terminals are tinned-bronze compression-type with a large 0.29" (7.5mm) diameter thru-hole. Clear polycarbonate terminal covers are secured by thumb-screws which can accept a sealing wire.

### Base Plate

The transformer comes with a marine-grade aluminum base plate that incorporates an industry standard mounting pattern.

### Test Reports

Test reports according to the latest revisions of IEEE C57.13 and CSA are stored electronically at time of test and can be sent via email in customer preferred formats at time of shipment.



### Thermal Rating

The DVF – 6 comes in two variants; one with a thermal burden of 500 VA at 30°C and one with a thermal burden of 750 VA at 30°C.

### Special Use with AMI Systems

The DVF-6 variant with a 750 VA thermal burden rating is specifically designed for use with AMI systems that employ communication via certain power-line carrier technologies. These models have an available short-circuit current greater than 175A, which is the rating recommended by popular AMI vendors.

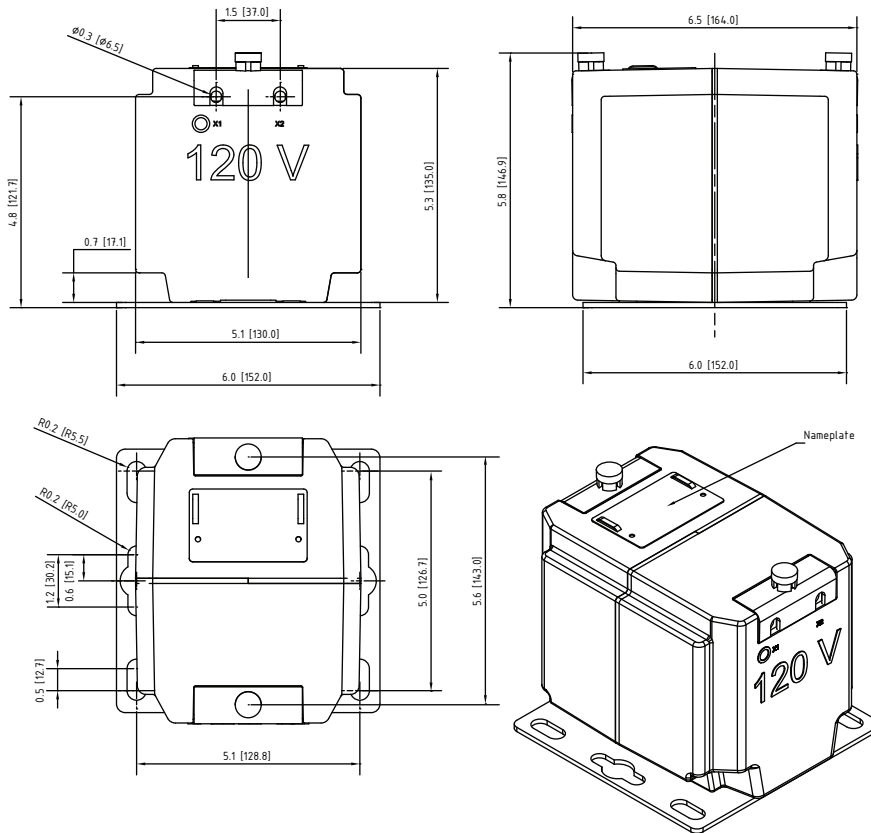


### Standard DVF-6 Design

| RATED PRIMARY | CATALOG NUMBER | RATIO | RATED SECONDARY | ACCURACY/BURDEN (60 HZ) | THERMAL BURDEN | MEASUREMENT CANADA APPROVED |
|---------------|----------------|-------|-----------------|-------------------------|----------------|-----------------------------|
| 120/208YV     | 120601014.0468 | 1:1   | 120 V           | 0.3WXM, 0.6Y            | 500 VA         | AE-1816                     |
| 240/416YV     | 120601014.0463 | 2:1   | 120 V           | 0.3WXM, 0.6Y            | 500 VA         | AE-1816                     |
| 288/500YV     | 120601014.0464 | 2.4:1 | 120 V           | 0.3WXM, 0.6Y            | 500 VA         | AE-1816                     |
| 300/520YV     | 120601014.0465 | 2.5:1 | 120 V           | 0.3WXM, 0.6Y            | 500 VA         | AE-1816                     |
| 360/360YV     | 120601014.0498 | 3:1   | 120 V           | 0.3WXM, 0.6Y            | 500 VA         | AE-1816                     |
| 480/480YV     | 120601014.0466 | 4:1   | 120 V           | 0.3WXM, 0.6Y            | 500 VA         | AE-1816                     |
| 600/600YV     | 120601014.0467 | 5:1   | 120 V           | 0.3WXM, 0.6Y            | 500 VA         | AE-1816                     |

### DVF-6 DESIGN FOR ACLARA/TWACS - POWER-LINE CARRIER AMI

| RATED PRIMARY | CATALOG NUMBER | RATIO | RATED SECONDARY | ACCURACY/BURDEN (60 HZ) | THERMAL BURDEN | MEASUREMENT CANADA APPROVED |
|---------------|----------------|-------|-----------------|-------------------------|----------------|-----------------------------|
| 120/208YV     | 120601014.0872 | 1:1   | 120 V           | 0.3WXM, 0.6Y            | 750 VA         | NA                          |
| 240/416YV     | 120601014.0873 | 2:1   | 120 V           | 0.3WXM, 0.6Y            | 750 VA         | NA                          |
| 288/500YV     | 120601014.0874 | 2.4:1 | 120 V           | 0.3WXM, 0.6Y            | 750 VA         | NA                          |
| 300/520YV     | 120601014.0875 | 2.5:1 | 120 V           | 0.3WXM, 0.6Y            | 750 VA         | NA                          |
| 360/360YV     | 120601014.0876 | 3:1   | 120 V           | 0.3WXM, 0.6Y            | 750 VA         | NA                          |
| 480/480YV     | 120601014.0877 | 4:1   | 120 V           | 0.3WXM, 0.6Y            | 750 VA         | NA                          |
| 600/600YV     | 120601014.0878 | 5:1   | 120 V           | 0.3WXM, 0.6Y            | 750 VA         | NA                          |



**RITZ INSTRUMENT TRANSFORMERS, INC.**  
 25 Hamburg Avenue • Lavonia, GA 30553 USA  
 706-356-7180 • www.ritzusa.com  
 e-mail: sales@ritzusa.com

SALES REPRESENTATIVE

