



Instrument Transformers

RITZ INSTRUMENT TRANSFORMERS, INC.

Current Transformer

GIFD 25-03

General Description

Ritz manufactures an extensive line of cast epoxy resin insulated transformers across the voltage range of 5.5 kV to 72.5 kV. This brochure describes outdoor window type Current Transformers for the 25kV class and below. The type GIFD is suitable for high current metering and relaying. Industry standard performance ratings are shown on the reverse page. Ritz, because of product depth, familiarity with international standards and custom design capability can also design a solution to your specific needs.

Construction

The toroidal core and winding assembly is encapsulated in cycloaliphatic epoxy resin in a single process, performed under vacuum, using the pressure gelation method. The resin color is grey. Brown is available by special order. Epoxy resin was chosen because of its excellent tracking resistance, high temperature rating, high mechanical strength, ability to withstand ultraviolet radiation, superior weathering characteristics and its noncombustibility.

Thermal & Dynamic Rating

Short time thermal rating is 100 times nominal current rating.

Dynamic short time rating is 2.5 times the thermal rating.

Primary Opening

The GIFD 25-03 has a window with a 5 inch diameter. It can also be purchased with an optional primary bar assembly kit with spade terminals.

Terminal Box

The cast aluminum terminal box has one inch conduit hubs on both ends and a knock out for a one inch conduit fitting on the bottom. The box is attached to the transformer body by four bolts in an industry standard pattern and can easily be detached, simplifying change out procedures.



Base Plate

The base is made of marine grade aluminum and is securely attached to the transformer body. Industry standard mounting dimensions and a single hole ground pad 90° to the mounting plate are provided.

Nameplates

Nameplate data is engraved on blackened stainless steel plates

Mounting

The transformers can be mounted in the horizontal, vertical or suspended position.

Tests

Routine tests in compliance with IEEE are standard. In addition internal partial discharge is performed as a routine test with acceptance criteria of < 20pC at $1.2V_m/\sqrt{3}$ and < 50pC at $1.2V_m$. Test cards are included with each unit.

Commissioning and Maintenance

Transformers are supplied ready for service. No special tools are required. Instruction manuals are provided with each shipment. Periodic wiping down of the units with silicone grease is recommended.

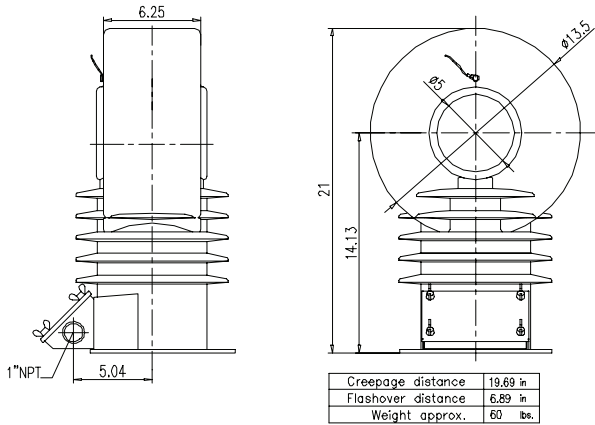


CURRENT TRANSFORMER TYPE GIFD 25-03

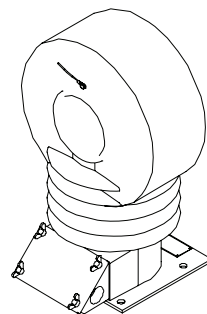
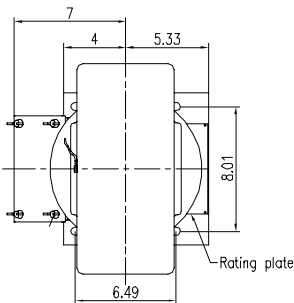
Current Ratio	Catalogue Number	ANSI Accuracy Class 60 Hz		Rating Factor (at 55°C)
		Meter	Relay	
200:5	112053003 05500	0.3B-0.5	C50	2.0
300:5	112053003 05501	0.3B-1.0	C50	2.0
400:5	112053003 05502	0.3B-1.0	C100	2.0
600:5	112053003 05503	0.3B-1.8	C100	2.0
800:5	112053003 05504	0.3B-2.0	C200	2.0
1000:5	112053003 05505	0.3B-2.0	C200	2.0
1200:5	112053003 05506	0.3B-2.0	C200	2.0
1500:5	112053003 05507	0.3B-2.0	C400	2.0
2000:5	112053003 05508	0.3B-2.0	C400	2.0
2500:5	112053003 05509	0.3B-2.0	C400	2.0
3000:5	112053003 05510	0.3B-2.0	C600	2.0
4000:5	112053003 05511	0.3B-2.0	C600	1.5
5000:5	112053003 05512	0.3B-2.0	C800	1.5
200/400:5	112053003 05513	Tap 0.3B-0.5 Full 0.3B-0.9	Tap C40 Full C80	Tap 1.5 Full 1.5
300/600:5	112053003 05514	Tap 0.3B-0.9 Full 0.3B-1.8	Tap C50 Full C100	Tap 2.0 Full 2.0
400/800:5	112053003 05515	Tap 0.3B-1.0 Full 0.3B-2.0	Tap C100 Full C200	Tap 2.0 Full 2.0
500/1000:5	112053003 05516	Tap 0.3B-1.0 Full 0.3B-2.0	Tap C100 Full C200	Tap 2.0 Full 2.0
600/1200:5	112053003 05517	Tap 0.3B-1.0 Full 0.3B-2.0	Tap C100 Full C200	Tap 2.0 Full 2.0
750/1500:5	112053003 05518	0.3B-2.0	Tap C200 Full C400	Tap 2.0 Full 2.0
800/1600:5	112053003 06806	0.3B-2.0	Tap C200 Full C400	Tap 2.0 Full 2.0
1000/2000:5	112053003 05519	0.3B-2.0	Tap C200 Full C400	Tap 2.0 Full 2.0
1500/3000:5	112053003 05520	0.3B-2.0	Tap C200 Full C400	Tap 2.0 Full 2.0
2000/4000:5	112053003 05521	0.3B-2.0	Tap C400 Full C800	Tap 2.0 Full 1.5
2500/5000:5	112053003 05522	0.3B-2.0	Tap C400 Full C800	Tap 2.0 Full 1.5
1000:5	112053003 05525	0.15B-1.8(ER)1% to 150% Irated	-----	1.5
2000:5	112053003 05526	0.15B-1.8(ER)1% to 150% Irated	-----	1.5

TYPE: GIFD 25-03

Cast-resin-outdoor-current-transformer, Um = 25.5 kV

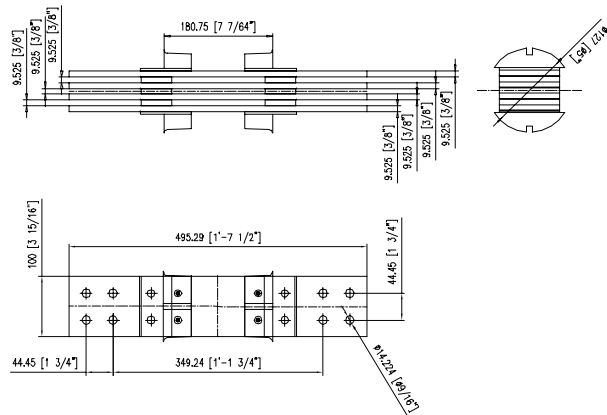


All dimensions in inches.
Small deviations in dimensions and construction possible !



GIFD 25-03

busbar, kit >4000A to 5000A



Optional Bus Bar Kit

Catalog Number	Current Rating (A)	Description
608122 36611	<1200	1 bar
608122 37611	>1200 to 2500	2 bars
608122 38611	>2500 to 4000	3 bars
608122 39611	>4000 to 5000	4 bars



RITZ INSTRUMENT TRANSFORMERS, INC.
 25 Hamburg Avenue • Lavonia, GA 30553 USA
 706-376-3769 • www.ritzusa.com
 e-mail: info@ritzusa.com

SALES REPRESENTATIVE

