



# RITZ INSTRUMENT TRANSFORMERS, INC.

*Instrument Transformers*

## Current Transformers

### GIFU 25-01

#### General Description

Ritz manufactures an extensive line of cast epoxy resin insulated transformers across the voltage range of 5.5 kV to 72.5 kV. This brochure describes outdoor Current Transformers in the 25kV class with performance ratings coinciding with industry standard product offerings. Ritz, because of product depth, familiarity with international standards and custom design capability can also design a solution to your specific needs.

#### Construction

The toroidal core and winding assembly is encapsulated in cycloaliphatic epoxy resin in a single process, performed under vacuum, using the pressure gelation method. The resin color is grey. Brown is available by special order. Epoxy resin was chosen because of its excellent tracking resistance, high mechanical strength, ability to withstand ultraviolet radiation, superior weathering characteristics and its noncombustibility.

#### Thermal & Dynamic Rating

For designs up to 600A the short time thermal rating is 100 times nominal current for 1 second and above 600A it is 60kA/1second.

The dynamic short time rating is 2.5 times the thermal rating.

#### Primary Terminals

Primary terminals are flat tin plated copper NEMA two hole pads. Primary terminals are detachable so that alternate terminal configurations can be considered.

#### Secondary Terminals

Secondary terminals are bronze clamp type with a large diameter hole. A bronze pivoting short circuit device is an integral part of the secondary terminal arrangement. A ground terminal is also provided.

#### Terminal box

The cast aluminum terminal box has one inch conduit



hubs on both ends and a knock out for a one inch conduit fitting on the bottom. The box is attached to the transformer body by four bolts in an industry standard pattern and can easily be detached, simplifying change out procedures.

#### Base Plate

The base is made of marine grade aluminum and is securely attached to the transformer body. Industry standard mounting dimensions and a single hole ground pad 90° to the mounting plate are provided.

#### Nameplates

Nameplate data is engraved on blackened stainless steel plates

#### Mounting

The transformers can be mounted in the horizontal, vertical or suspended position.

#### Tests

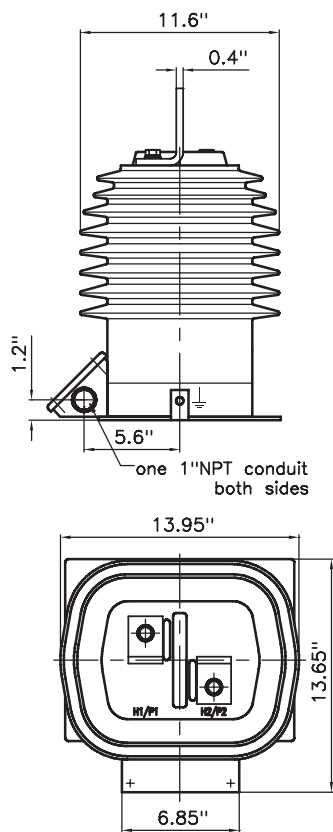
Routine tests in compliance with IEEE are standard. In addition internal partial discharge is performed as a routine test with acceptance criteria of < 20pC at  $1.2V_m/\sqrt{3}$  and < 50pC at 1.2 VM. Test cards are included with each unit.

#### Commissioning and Maintenance

Transformers are supplied ready for service. No special tools are required. Instruction manuals are provided with each shipment. Periodic wiping down of the units with silicone grease is recommended.

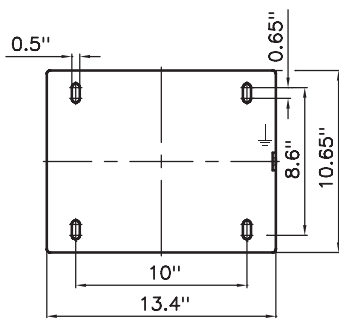
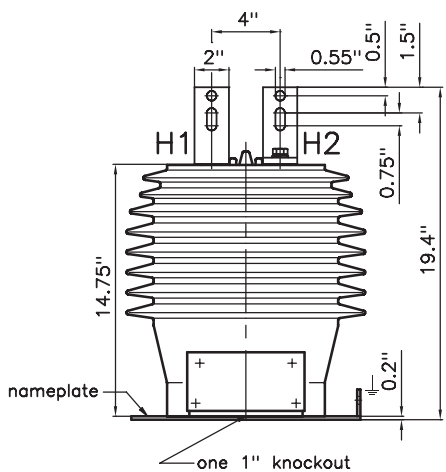


CURRENT TRANSFORMER TYPE : GIFU 25-01



Current Ratio (A)	Catalog Number	IEEE Accuracy Class 60 Hz		Rating Factor
		Meter	Relay	
5:5	112053001 45850	0.3B-0.9	C100	3.0
10:5	112053001 45851	0.3B-0.9	C100	3.0
15:5	112053001 45852	0.3B-0.9	C100	3.0
20:5	112053001 45853	0.3B-0.9	C100	3.0
25:5	112053001 45854	0.3B-0.9	C100	3.0
30:5	112053001 45855	0.3B-0.9	C100	3.0
40:5	112053001 45856	0.3B-0.9	C100	3.0
50:5	112053001 45857	0.3B-0.9	C100	3.0
75:5	112053001 45858	0.3B-0.9	C100	3.0
100:5	112053001 45859	0.3B-0.9	C100	3.0
150:5	112053001 45860	0.3B-0.9	C100	3.0
200:5	112053001 45861	0.3B-0.9	C100	3.0
300:5	112053001 45862	0.3B-0.9	C100	3.0
400:5	112053001 45863	0.3B-0.9	C100	3.0
500:5	112053001 45867	0.3B-0.9	C100	3.0
600:5	112053001 45864	0.3B-0.9	C100	3.0
800:5	112053001 45865	0.3B-0.9	C100	2.0
1000:5	112053001 45868	0.3B-0.9	C100	1.5
1200:5	112053001 45866	0.3B-0.9	C100	1.5
5/10:5	112053001 76462	0.3B-0.9/1.8	C90/C200	3.0/1.5
10/20:5	112053001 45870	0.3B-0.9/1.8	C90/C200	3.0/1.5
20/40:5	112053001 45871	0.3B-0.9/1.8	C90/C200	3.0/1.5
25/50:5	112053001 45872	0.3B-0.9/1.8	C90/C200	3.0/1.5
50/100:5	112053001 45873	0.3B-0.9/1.8	C90/C200	3.0/1.5
75/150:5	112053001 45874	0.3B-0.9/1.8	C90/C200	3.0/1.5
100/200:5	112053001 45875	0.3B-0.9/1.8	C90/C200	3.0/1.5
150/300:5	112053001 45876	0.3B-0.9/1.8	C90/C200	3.0/1.5
200/400:5	112053001 45877	0.3B-0.9/1.8	C90/C200	3.0/1.5
300/600:5	112053001 45878	0.3B-0.9/1.8	C90/C200	3.0/1.5
400/800:5	112053001 45879	0.3B-0.9/1.8	C90/C200	3.0/1.5
500/1000:5	112053001 45995	0.3B-0.9/1.8	C90/C200	3.0/1.5
600/1200:5	112053001 45996	0.3B-0.9/1.8	C90/C200	3.0/1.5
1000/2000:5*	112053001 45931	0.3B-2.0	C200/C400	2.0/1.5
1500/3000:5*	112053001 45932	0.3B-2.0	C200/C400	2.0/1.0
200:5	112053001 79153	0.15B1.8 1% to 150% Rated Current	---	1.5
1000:5	112053001 79152	0.15B1.8 1% to 150% Rated Current	---	1.5

\*Different body size (GIF 25-48). Request drawing from factory.



Maximum System Voltage	25.5 kV
Power Freq. Withstand Volt.	50 kV
Basic Impulse Level	150 kV
Creepage Distance	29.5"
Strike Distance	13"
Weight	105 lbs
Cantilever Strength	1100 lbs
Small deviations in weight and dimensions are possible.	



**RITZ INSTRUMENT TRANSFORMERS, INC.**  
 25 Hamburg Avenue • Lavonia, GA 30553 USA  
 706-376-3769 • www.ritzusa.com  
 e-mail: info@ritzusa.com

SALES REPRESENTATIVE

