



# RITZ INSTRUMENT TRANSFORMERS, INC.

Instrument Transformers



## Type OCGW Current Transformer

<b>APPLICATION</b>	Protection and Metering
<b>FREQUENCY</b>	50-400 Hz
<b>INSULATION LEVEL</b>	0.6kV, 10 kV BIL
<b>Short-Time Thermal Current</b>	80 x Inom - 1 second
<b>Short-Time Mechanical Current</b>	180 x Inom
<b>ENVIRONMENT</b>	Indoor
<b>WINDOW SIZE</b>	6.5 Inches / 165 mm
<b>APPROXIMATE WEIGHT</b>	58 lbs / 26.4 kg



CATALOG NUMBER	RATIO	IEEE RELAY CLASS	IEEE METERING CLASS					RATING FACTOR	
			B0.1	B0.2	B0.5	B0.9	B1.8	30C	55C
<b>SINGLE-RATIO CURRENT TRANSFORMERS</b>									
110602031.0939	50:5	C10	2.4	4.8	-	-	-	2.0	1.5
110602031.0940	75:5	C20	1.2	1.2	2.4	-	-	2.0	1.5
110602031.0941	100:5	C20	0.6	1.2	2.4	-	-	2.0	1.5
110602031.0942	150:5	C50	0.6	0.6	1.2	2.4	-	2.0	1.5
110602031.0943	200:5	C50	0.3	0.3	0.6	1.2	2.4	2.0	1.5
110602031.0944	250:5	C50	0.3	0.3	0.6	1.2	2.4	2.0	1.5
110602031.0945	300:5	C100	0.3	0.3	0.3	0.6	1.2	2.0	1.5
110602031.0946	400:5	C100	0.3	0.3	0.3	0.6	1.2	2.0	1.5
110602031.0947	500:5	C100	0.3	0.3	0.3	0.3	0.6	2.0	1.5
110602031.0948	600:5	C200	0.3	0.3	0.3	0.3	0.6	2.0	1.5
110602031.0949	750:5	C200	0.3	0.3	0.3	0.3	0.3	2.0	1.5
110602031.0950	800:5	C200	0.3	0.3	0.3	0.3	0.3	2.0	1.5
110602031.0951	1000:5	C200	0.3	0.3	0.3	0.3	0.3	2.0	1.5
110602031.0952	1200:5	C400	0.3	0.3	0.3	0.3	0.3	2.0	1.5
110602031.0953	1500:5	C400	0.3	0.3	0.3	0.3	0.3	1.5	1.33
110602031.0954	1600:5	C400	0.3	0.3	0.3	0.3	0.3	1.5	1.33
110602031.0955	2000:5	C400	0.3	0.3	0.3	0.3	0.3	2.0	1.5
110602031.0956	2500:5	C400	0.3	0.3	0.3	0.3	0.3	1.5	1.33
110602031.0957	3000:5	C400	0.3	0.3	0.3	0.3	0.3	1.5	1.33
110602031.0958	4000:5	C400	0.3	0.3	0.3	0.3	0.3	1.5	1.33
<b>MULTI-RATIO CURRENT TRANSFORMERS</b>									
110602031.0959	600:5 MR	C200	0.3	0.3	0.3	0.3	0.6	2.0	1.5
110602031.0960	1200:5 MR	C400	0.3	0.3	0.3	0.3	0.3	2.0	1.5
110602031.0961	2000:5 MR	C400	0.3	0.3	0.3	0.3	0.3	2.0	1.5
110602031.0962	3000:5 MR	C400	0.3	0.3	0.3	0.3	0.3	1.33	1.0
110602031.0963	4000:5 MR	C400	0.3	0.3	0.3	0.3	0.3	1.33	1.0

## General Description

The OCGW is a ring-type current transformer which is wound with a fully distributed secondary winding. The protective 2-piece plastic case is assembled by a self-snapping mechanism.

## Standards

Standard units are built and tested to IEEE C57.13 and CSA C60044-1. Units built to IEC 60044-1 and other international standards are available upon request. Units are also approved and listed by UL and CSA.

## Secondary Terminals

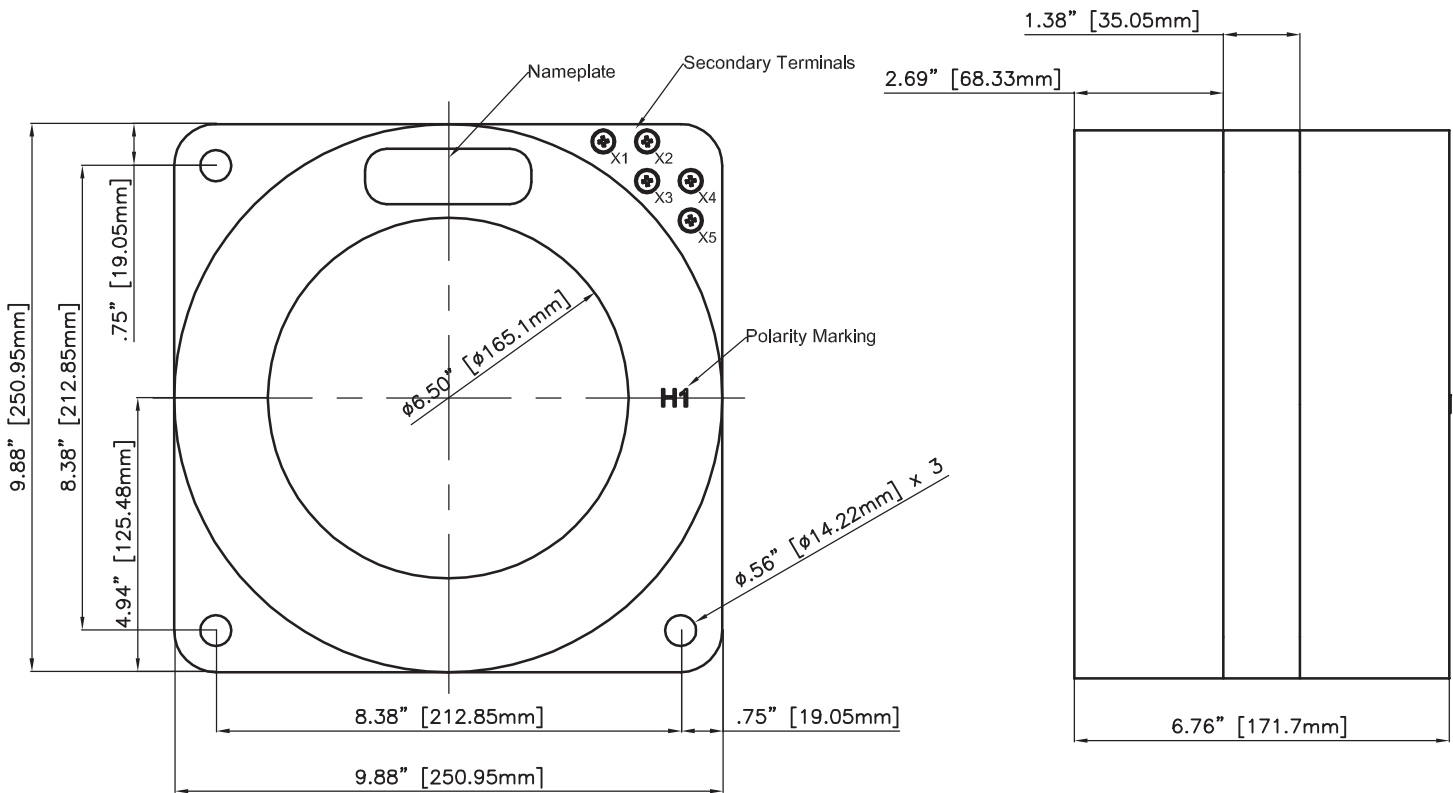
Secondary terminals are 10-32 brass terminal screws with one flat washer, one lock washer, and a regular nut on each side.

## Test Reports

All factory test data is collected and stored electronically and can be e-mailed in various formats at the time of shipment.

## Curves

Excitation, ratio correction factor, and phase-angle curves are available upon request.



**RITZ INSTRUMENT TRANSFORMERS, INC.**  
25 Hamburg Avenue • Lavonia, GA 30553 USA  
706-356-7180 • www.ritzusa.com  
e-mail: sales@ritzusa.com

SALES REPRESENTATIVE

