



Type RBCT

Recloser Bushing Current Transformer

General Description

The RBCT is a current transformer designed for use with reclosers for indicating metering, protection and control, and TWACS applications. It is suitable for both indoor or outdoor service.

Construction

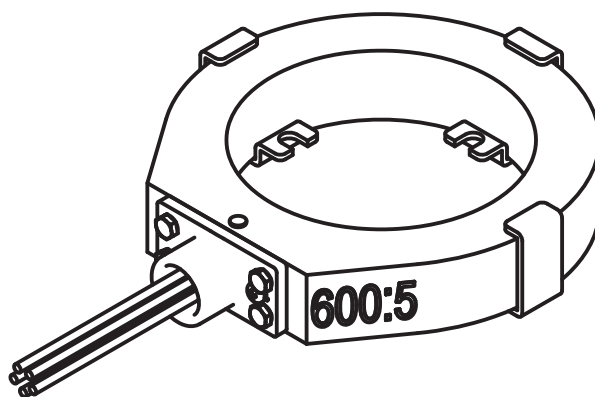
The ring-type core is wound from high quality grain oriented silicon steel which has been annealed. The secondary winding is accomplished with heavy enameled copper wire. The assembly is then encapsulated in a mold using a polyurethane resin specifically formulated for optimal electrical insulation and weatherproof characteristics.

Secondary Leads

Secondary leads are direct molded and exit through a flange designed to connect to flexible conduit with a 1" NPT threaded connection. Standard length and custom length lead options are available.

Mounting

The standard assembly includes three aluminum mounting brackets. Custom brackets are available upon request. The RBCT is a low-profile design to minimize the impact on the recloser's insulation strike-distance. Care should be taken by the customer to ensure that the mounting of this CT does not impact the insulation performance of the recloser.

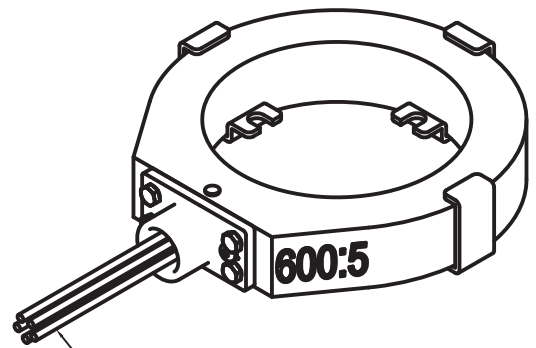
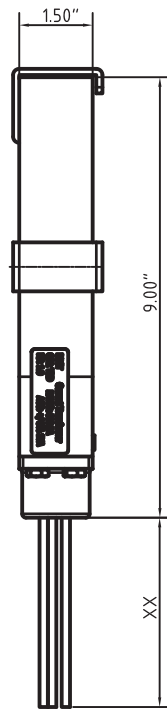
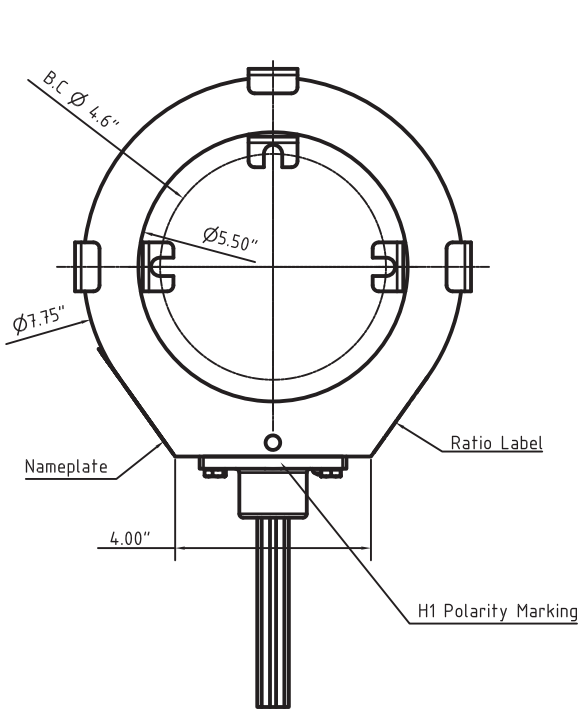


Standard Ratings

600V/720V Insulation Class
(for use on insulated bushings)
600:5A multi-tap - see chart for available ratios
Rating Factor 1.0
50/60Hz (accuracy ratings listed for 60Hz)
5% accuracy at listed burden

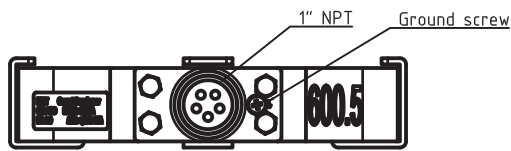
Tap	Ratio(A)	Burden(VA)
X1-X4	100:5	1
X1-X2	200:5	5
X2-X3	300:5	10
X2-X4	400:5	10
X1-X3	500:5	20
X1-X4	600:5	20



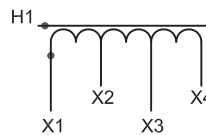


5 Leads are shown as standard multi ratio arrangement. 2,3 and 4 lead arrangements available.

***Lead wires #10 THHN insulated stranded conductor. Length TBD by customer.



WINDING SCHEMATICS



WINDING RATIOS

TAP	RATIO
X3-X4	100:5
X1-X2	200:5
X2-X3	300:5
X2-X4	400:5
X1-X3	500:5
X1-X4	600:5

LEAD WIRE COLORS

X1	BLACK
X2	RED
X3	BLUE
X4	ORANGE

Catalog Number:
 110601041.1134-XX
 XX - lead length in feet
 Standard lengths of 10', 15', 20', 25', and 50' available

Other ratings available upon request.
 Ratings listed in this brochure are subject to change without notice.



Ritz Instrument Transformers, Inc.
 25 Hamburg Avenue
 Lavonia, GA USA 30553
 TEL: 706-356-7180
 FAX: 866-772-5245
 sales@ritzusa.com

www.ritzusa.com