



RITZ INSTRUMENT TRANSFORMERS, INC.

Instrument Transformers

Voltage Transformers

VEF 15-20 Single Pole
VZF 15-20 Double Pole

General Description

Ritz manufactures an extensive line of cast epoxy resin insulated transformers across the voltage range of 5.5 kV to 72.5 kV. This brochure describes outdoor Voltage Transformers in the 15kV class with performance ratings coinciding with industry standard product offerings. Ritz, because of product depth, familiarity with international standards and custom design capability can also design a solution to your specific needs.

Construction

The core and coil assembly is encapsulated in cycloaliphatic epoxy resin in a single process, performed under vacuum, using the pressure gelation method. The resin color is grey. Brown is available by special order. Epoxy resin was chosen because of its excellent tracking resistance, high mechanical strength, ability to withstand ultraviolet radiation, superior weathering characteristics and its noncombustibility.

Primary Terminals

Primary line terminals are tin plated copper studs with connectors capable of accommodating #10 to #1 AWG conductor. The H2 neutral terminal on single bushing models is insulated to withstand a 19 kV test level. Line terminals are detachable so that alternate terminal configurations can be considered.

Secondary Terminals

Secondary terminals are bronze clamp type with a large diameter hole. A ground terminal is also provided for grounding of the secondaries at the transformer.

Terminal Box

The cast aluminum terminal box has one inch conduit hubs on both ends and a knock out for a one inch conduit fitting on the bottom. The box is attached to the transformer body by four bolts in an industry standard pattern and can easily be detached, simplifying change out procedures.



Base Plate

The base is made of marine grade aluminum and is securely attached to the transformer body. Industry standard mounting dimensions and a single hole ground pad 90° to the mounting plate are provided.

Nameplates

Nameplate data is engraved on blackened stainless steel plates.

Mounting

The transformers can be mounted in the horizontal, vertical or suspended position.

Tests

Routine tests in compliance with IEEE are standard. In addition internal partial discharge is performed as a routine test with acceptance criteria of < 20pC at 1.2Vm/√3 and < 50pC at 1.2 VM. Test cards are included with each unit.

Commissioning and Maintenance

Transformers are supplied ready for service. No special tools are required. Instruction manuals are provided with each shipment. Periodic wiping down of the units with silicone grease is recommended.

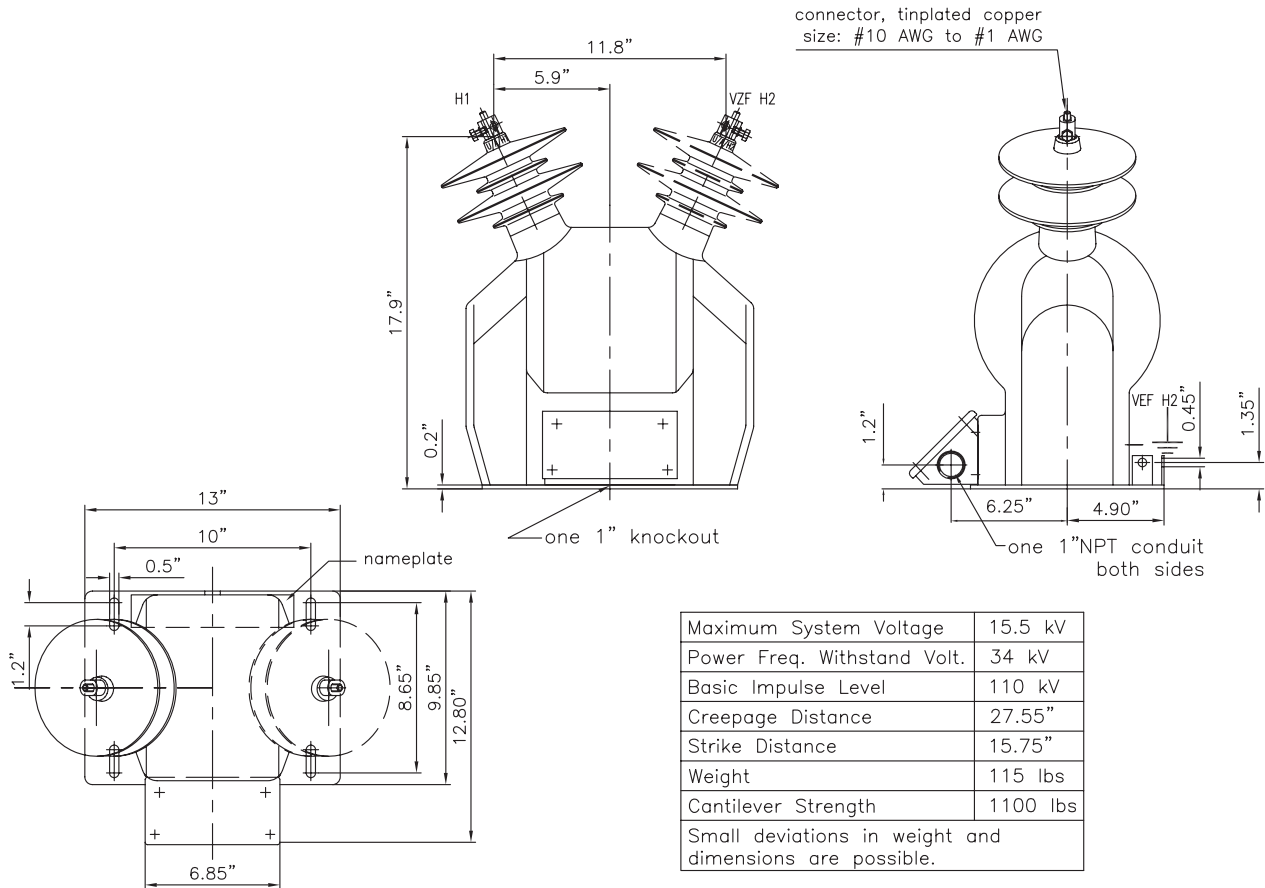


Voltage Transformer Type: VEF 15-20

Primary Voltage (V)	Winding Ratio	Catalog Number	IEEE Accuracy Class, 60HZ	Thermal Rating (VA)
7200/12470 GY	60:1	122031010 60305	0.3WXYZ	1500
8400/14400 GY	70:1	122031010 60306	0.3WXYZ	1500

Voltage Transformer Type: VZF 15-20

Primary Voltage (V)	Winding Ratio	Catalog Number	IEEE Accuracy Class, 60HZ	Thermal Rating (VA)
7200/12470 Y	60:1	122030010 60320	0.3WXYZ	1500
7620/13200 Y	63.5:1	122030010 60321	0.3WXYZ	1500
8400/14400 Y	70:1	122030010 60322	0.3WXYZ	1500
12000/12000 Y	100:1	122030010 60323	0.3WXYZ	1500
13200/13200 Y	110:1	122030010 60324	0.3WXYZ	1500
14400/14400 Y	120:1	122030010 60325	0.3WXYZ	1500



RITZ INSTRUMENT TRANSFORMERS, INC.
 25 Hamburg Avenue • Lavonia, GA 30553 USA
 706-376-3769 • www.ritzusa.com
 e-mail: info@ritzusa.com

SALES REPRESENTATIVE

