



Type GIFD25-03 to GIFD25-13 Conversion Outdoor Dry-Type Current Transformer 25kV

Current Ratio	GIFD25-03	GIFD25-13	Accuracy Class		Rating Factor (55°C)
			Metering	Relaying	
200:5	112053003.05500	112053013.149261	0.3B-0.5	C50	2.0
300:5	112053003.05501	112053013.149262	0.3B-1.0	C50	2.0
400:5	112053003.05502	112053013.149263	0.3B-1.0	C100	2.0
600:5	112053003.05503	112053013.149264	0.3B-1.8	C100	2.0
800:5	112053003.05504	112053013.149265	0.3B-2.0	C200	2.0
1000:5	112053003.05505	112053013.149266	0.3B-2.0	C200	2.0
1200:5	112053003.05506	112053013.149267	0.3B-2.0	C200	2.0
1500:5	112053003.05507	112053013.149268	0.3B-2.0	C400	2.0
2000:5	112053003.05508	112053013.149269	0.3B-2.0	C400	2.0
2500:5	112053003.05509	112053013.149270	0.3B-2.0	C400	2.0
3000:5	112053003.05510	112053013.149271	0.3B-2.0	C600	2.0
4000:5	112053003.05511	112053013.149272	0.3B-2.0	C600	2.0
5000:5	112053003.05512	112053013.149273	0.3B-2.0	C800	2.0
200/400:5	112053003.05513	112053013.149274	0.3B0.5/0.3B0.9	C40/C80	1.5/1.5
300/600:5	112053003.05514	112053013.149275	0.3B0.9/0.3B1.8	C50/C100	2.0/2.0
400/800:5	112053003.05515	112053013.149276	0.3B1.0/0.3B2.0	C100/C200	2.0/2.0
500/1000:5	112053003.05516	112053013.149277	0.3B1.0/0.3B2.0	C100/C200	2.0/2.0
600/1200:5	112053003.05517	112053013.149278	0.3B1.0/0.3B2.0	C100/C200	2.0/2.0
750/1500:5	112053003.05518	112053013.149279	0.3B-2.0	C200/C400	2.0/2.0
800/1600:5	112053003.06806	112053013.149280	0.3B-2.0	C200/C400	2.0/2.0
1000/2000:5	112053003.05519	112053013.149281	0.3B-2.0	C200/C400	2.0/2.0
1500/3000:5	112053003.05520	112053013.149282	0.3B-2.0	C200/C400	2.0/2.0
2000/4000:5	112053003.05521	112053013.149283	0.3B-2.0	C400/C800	2.0/1.5
2500/5000:5	112053003.05522	112053013.149284	0.3B-2.0	C400/C800	2.0/1.5
1000:5 ER	112053003.05525	112053013.149285	0.15SB-1.8, 1% to RF	N/A	1.5
2000:5 ER	112053003.05526	112053013.149286	0.15SB-1.8, 1% to RF	N/A	1.5

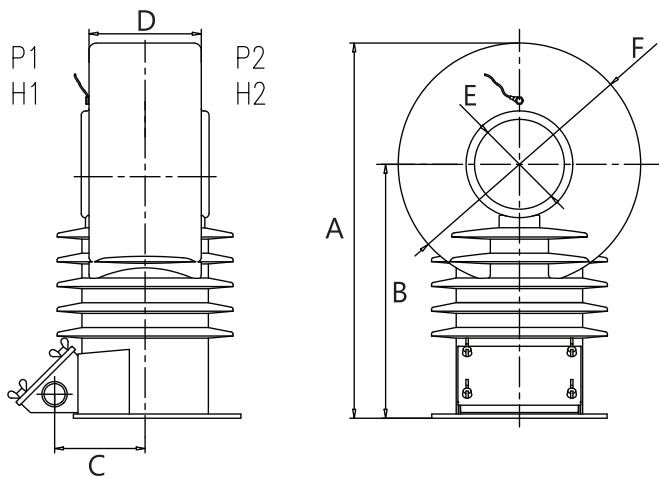
Contact factory or local representative for additional GIFD25-03 to GIFD25-13 conversions not listed.



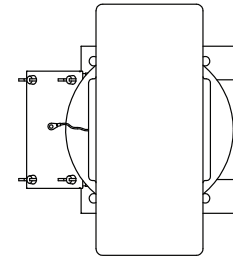
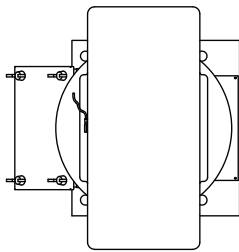
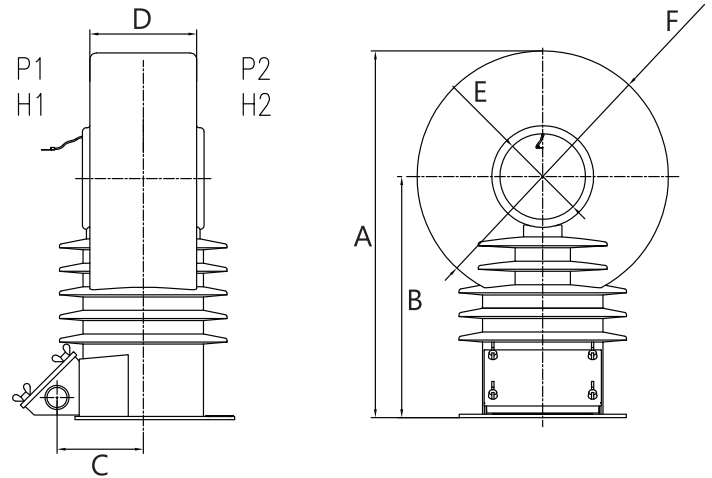
GERMANY HAMBURG • WIRGES • KIRCHAICH • DRESDEN
AUSTRIA MARCHTRENK | HUNGARY KECSKEMÉT | CHINA SHANGHAI | USA LAVONIA



Type GIDF25-03

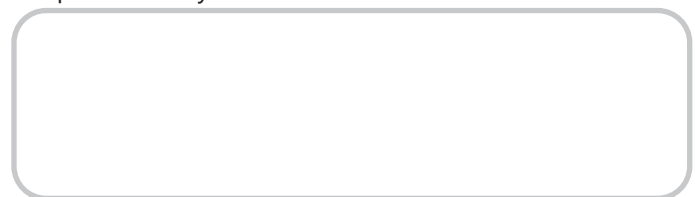


Type GIDF25-13



	Dim A (in.[mm])	Dim B (in.[mm])	Dim C (in.[mm])	Dim D (in.[mm])	Dim E (in.[mm])	Dim F (in.[mm])	Creepage Distance (in.[mm])	Strike Distance (in.[mm])
GIDF25-03	21.40 [544.5]	14.13 [358]	5.04 [128]	6.25 [158.8]	5.0 [127]	13.5 [342.9]	19.69 [500]	6.89 [175]
GIDF25-13	21.40 [544.5]	14.13 [358]	5.04 [128]	6.25 [158.8]	5.0 [127]	14.7 [372.9]	19.69 [500]	6.89 [175]

Represented By



Ritz Instrument Transformers, Inc.
 25 Hamburg Avenue
 Lavonia, GA USA 30553
 TEL: 706-356-7180
 FAX: 866-772-5245
 sales@ritzusa.com

www.ritzusa.com